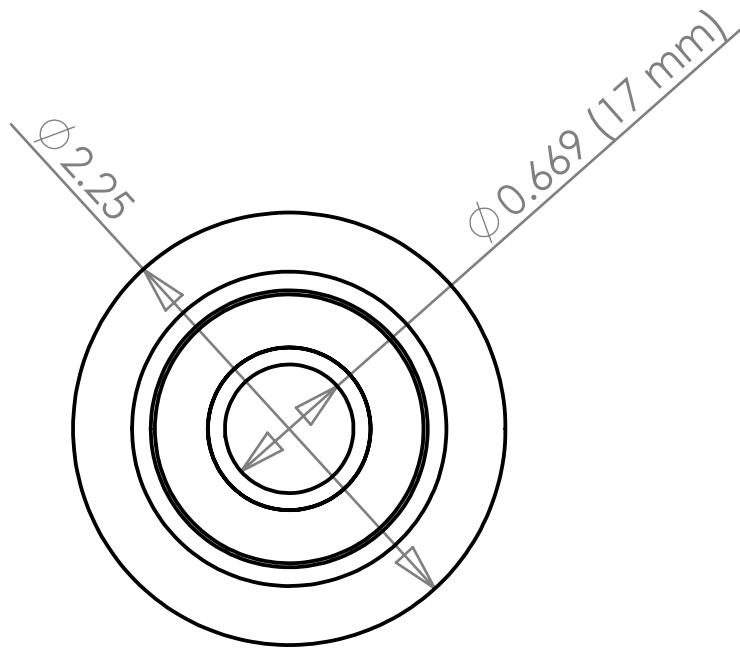
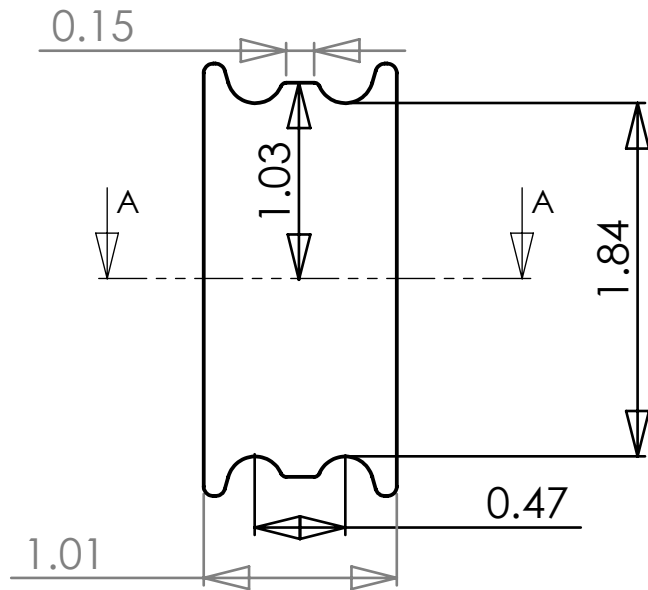
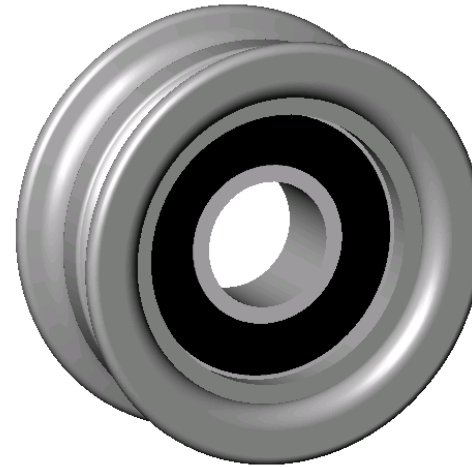
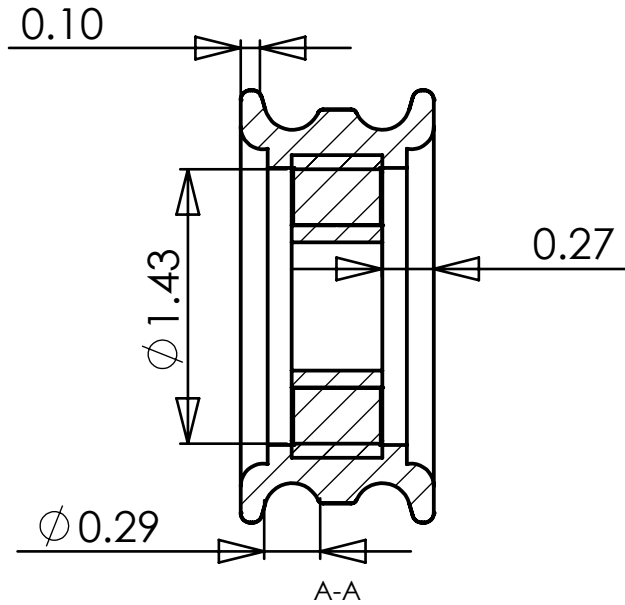


THE INFORMATION CONTAINED IN THIS DRAWING IS THE SOLE PROPERTY OF DURA-BELT, INC. ANY REPRODUCTION IN PART OR WHOLE WITHOUT THE WRITTEN PERMISSION OF DURA-BELT, INC. IS PROHIBITED.

UNLESS OTHERWISE SPECIFIED DIMENSIONS ARE IN INCHES
 TOLERANCES ARE:
 FRACTIONS DECIMALS ANGLES
 ± 1/64 .XX ± .01 ± 3°
 .XXX ± .005



ADDITIONAL NOTES

Must specify bearing type as shielded or sealed

SCALE 1:1 SIZE X REV. A

DURA-BELT, INC.

PART NAME Twin Round Idler Pulley

MATERIAL Nylon reinforced with fiberglass with 6203 ABEC-1 bearing

DATE 4/19/03

DRAWN BY JGH

SHEET 1 OF 1