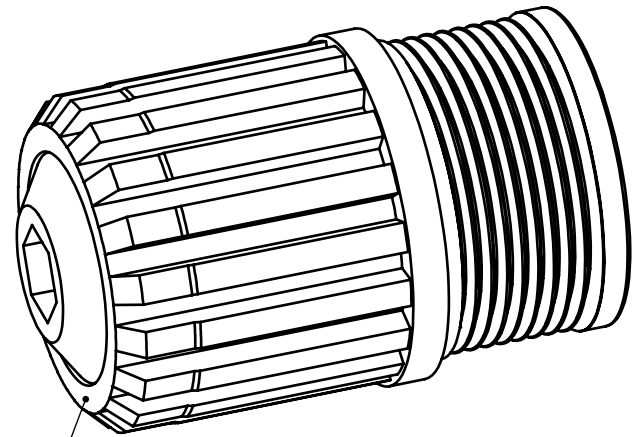
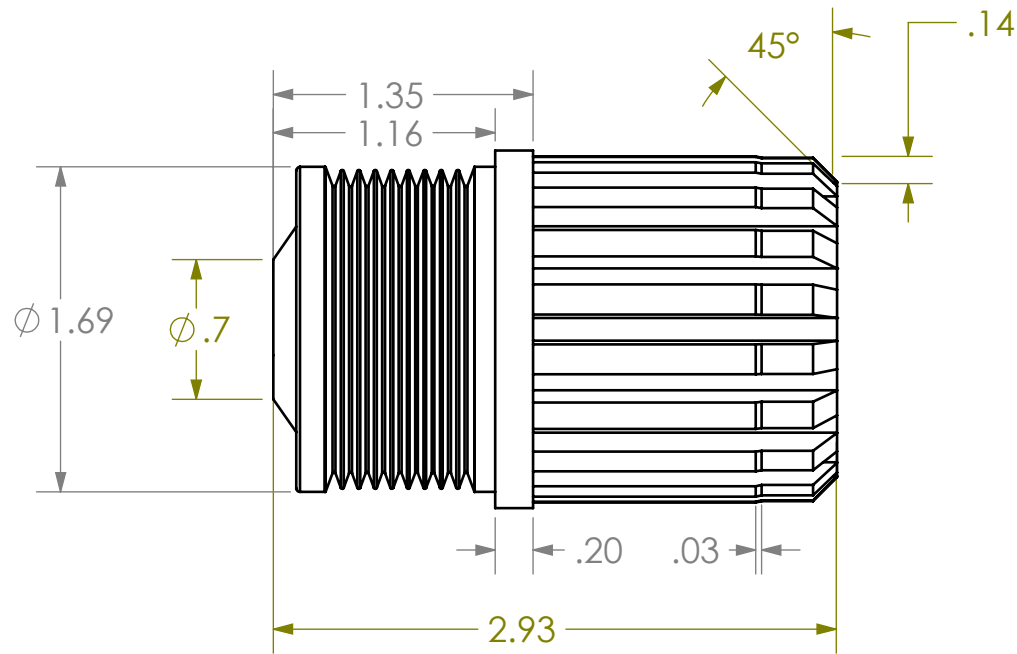


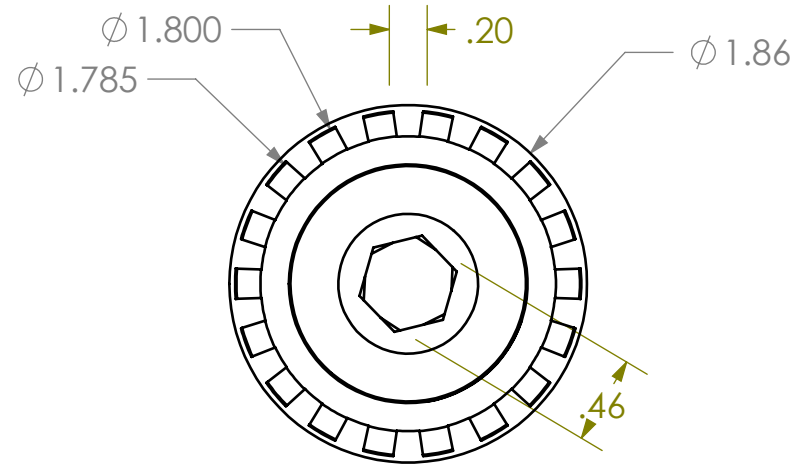
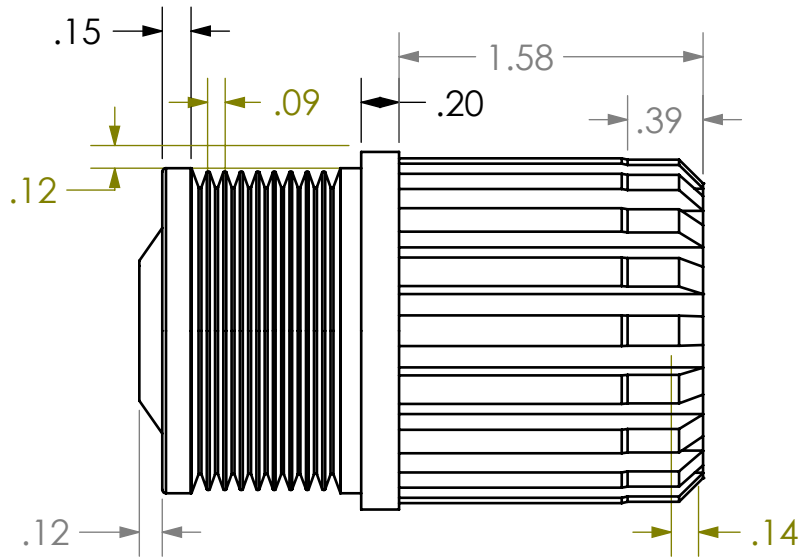
THE INFORMATION CONTAINED IN THIS DRAWING IS THE SOLE PROPERTY OF DURA-BELT, INC. ANY REPRODUCTION IN PART OR WHOLE WITHOUT THE WRITTEN PERMISSION OF DURA-BELT, INC. IS PROHIBITED.

Dimensions are in inches

UNLESS OTHERWISE SPECIFIED DIMENSIONS ARE IN INCHES
 TOLERANCES ARE:
 FRACTIONS DECIMALS ANGLES
 ± 1/64 .XX ± .01 ± 3°
 .XXX ± .005



The hex insert of the second bearing, if installed as shown here, would extend .15" out from this surface.



ADDITIONAL NOTES		SCALE	SIZE	REV.
With one or two ABEC-1 6002 ZZ bearings with inserts for 7/16" hex shafts		1:1	X	K
MATERIAL	DATE	DRAWN BY	SHEET	
Nylon reinforced with fiberglass, anti-static	4/5/19	JGH	1 OF 1	

DURA-BELT, INC.

PART NAME Poly-V endcap for 1.9" rollers

8 7 6 5 4 3 2 1