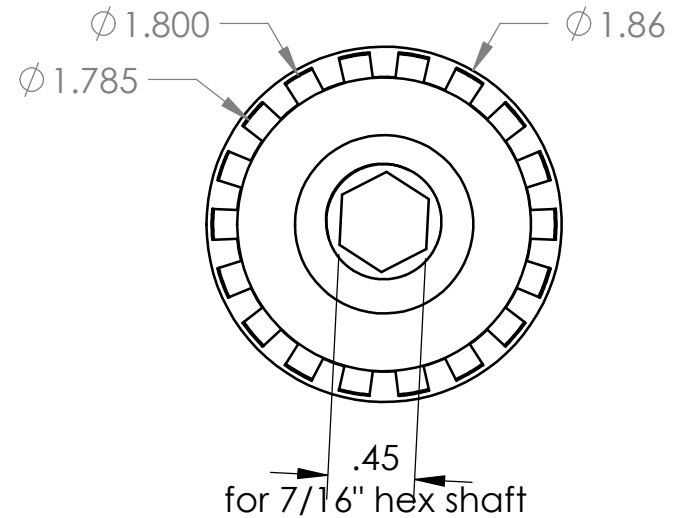
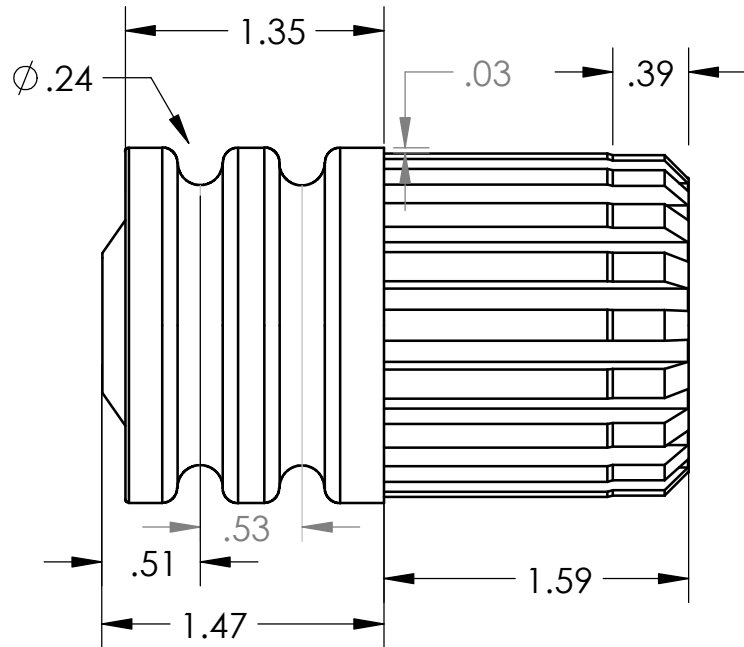
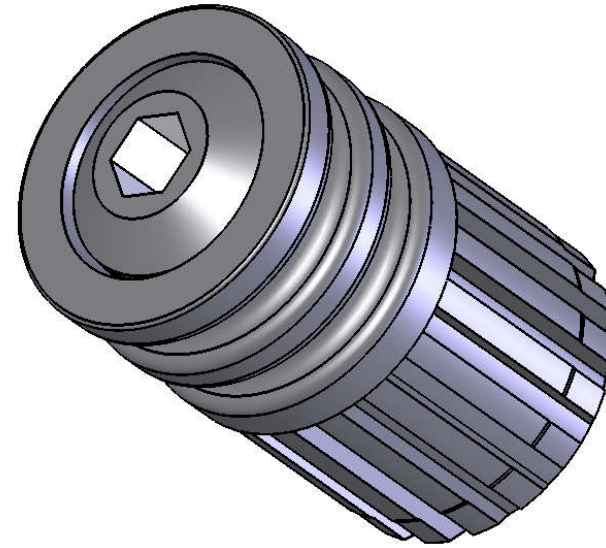
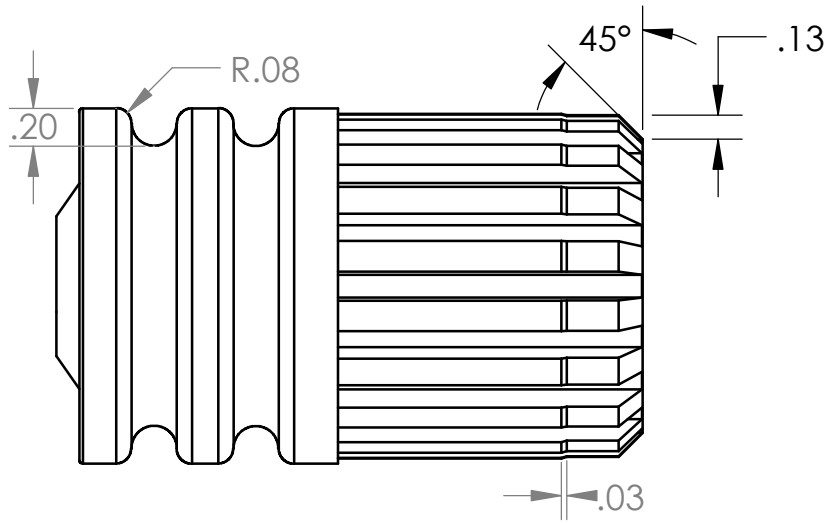


THE INFORMATION CONTAINED IN THIS DRAWING IS THE SOLE PROPERTY OF DURA-BELT, INC. ANY REPRODUCTION IN PART OR WHOLE WITHOUT THE WRITTEN PERMISSION OF DURA-BELT, INC. IS PROHIBITED.

UNLESS OTHERWISE SPECIFIED  
DIMENSIONS ARE IN INCHES  
TOLERANCES ARE:  
FRACTIONS DECIMALS ANGLES  
± 1/64 .XX±.01 ± 3°  
.XXX±.005



ADDITIONAL NOTES  
One (or two) 6002 ZZ A.B.E.C-1 bearings

SCALE 1:1 SIZE X REV. A

**DURA-BELT, INC.** PART NAME Twin groove (Poly-O) endcap

MATERIAL Glass-filled anti-static nylon

DATE 5-12-19

DRAWN BY JGH

SHEET 1 OF 1