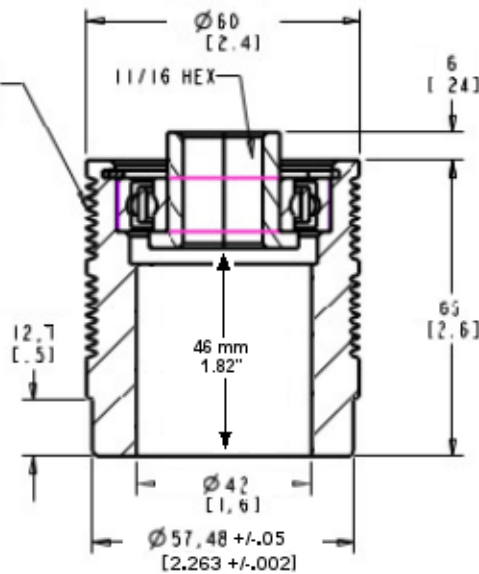
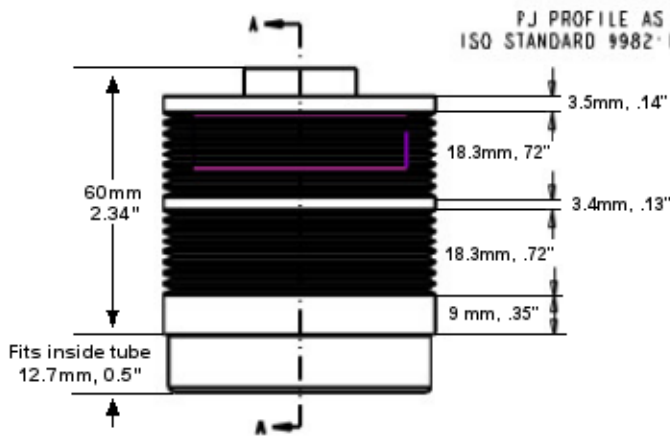
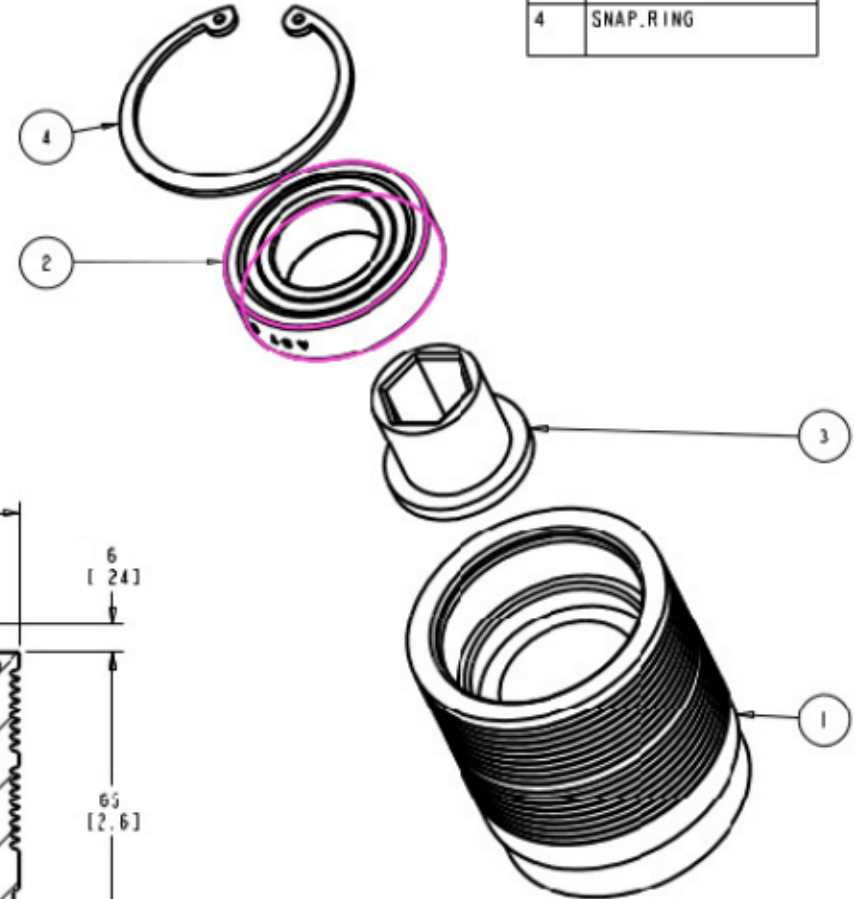


THE INFORMATION CONTAINED IN THIS DRAWING IS THE SOLE PROPERTY OF DURA-BELT, INC. ANY REPRODUCTION IN PART OR WHOLE WITHOUT THE WRITTEN PERMISSION OF DURA-BELT, INC. IS PROHIBITED.

INDEX	DESCRIPTION
1	PJ8_SHELL
2	60051Z_BEARING
3	HEX_INSERT
4	SNAP_RING



ADDITIONAL NOTES  
For 11/16" hex shafts

**DURA-BELT, INC.**

PARTNAME  
2.5" Poly-V endcap insert hub

MATERIAL  
1020 steel, ABEC-1 6005 ZZ bearing

DATE  
9/10/15

SCALE	SIZE	REV.
	X	A
DRAWN BY	SHEET	
JGH	1 OF 1	